



Trigger in the TDRDemo

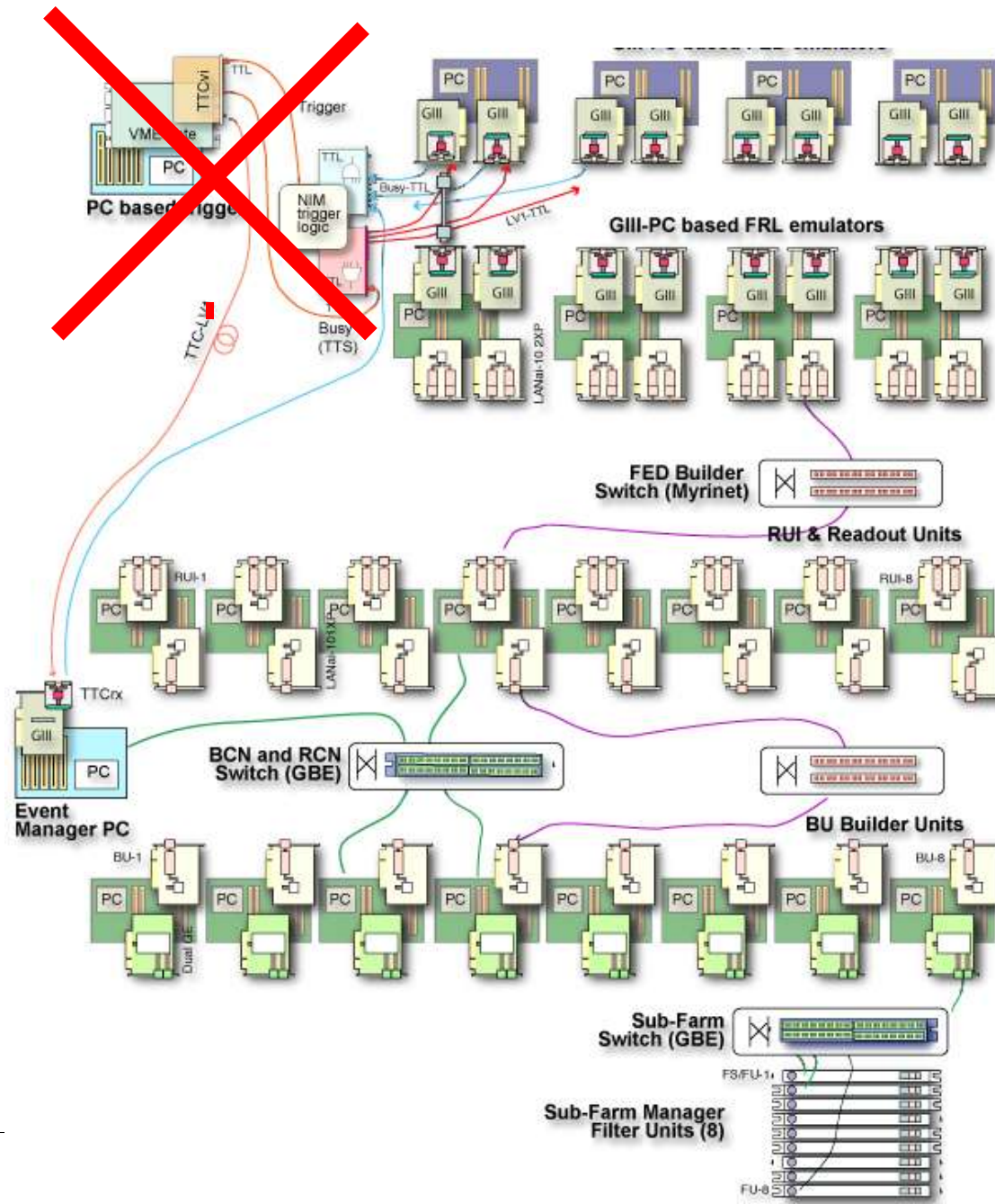
Current Setup

Preseries Setup

Partitioning



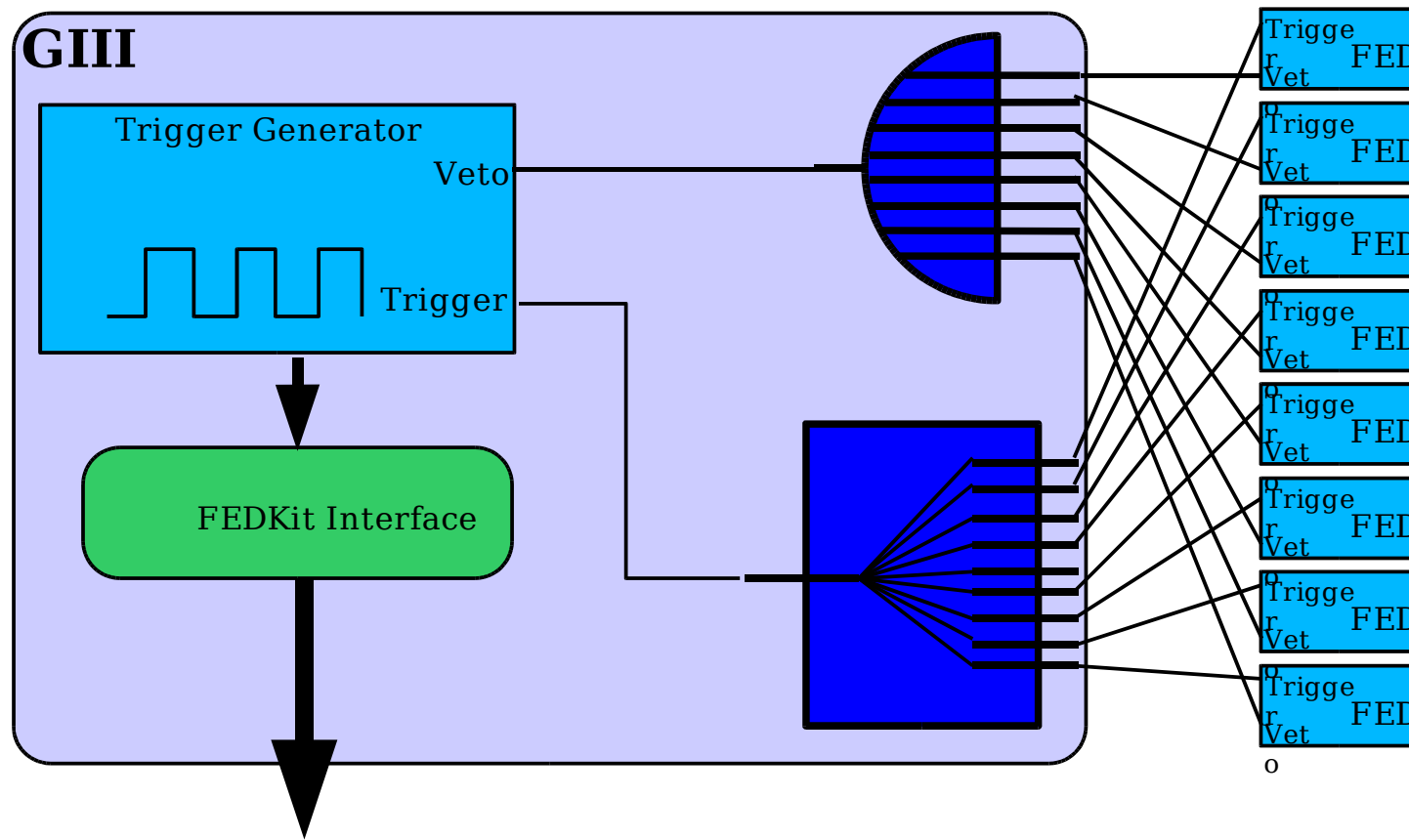
TDRDemo





Current trigger setup

- Trigger emulator based on GIII



FEDKit interface to EVM



What we want for Pre-series

- Trigger data flow like in final system
 - Trigger emulator emits data via SLINK
 - Dedicated FRL
 - Dedicated FEDBuilder for trigger
 - Myrinet link from FEDBuilder to EVM
 - Realistic data record from FED emulator
- Possibility to run with various partitions
 - Would need a Veto for each partition
 - We only have foreseen one FMM
 - Needs some ad-hoc solution



Preseries Partitioning

