

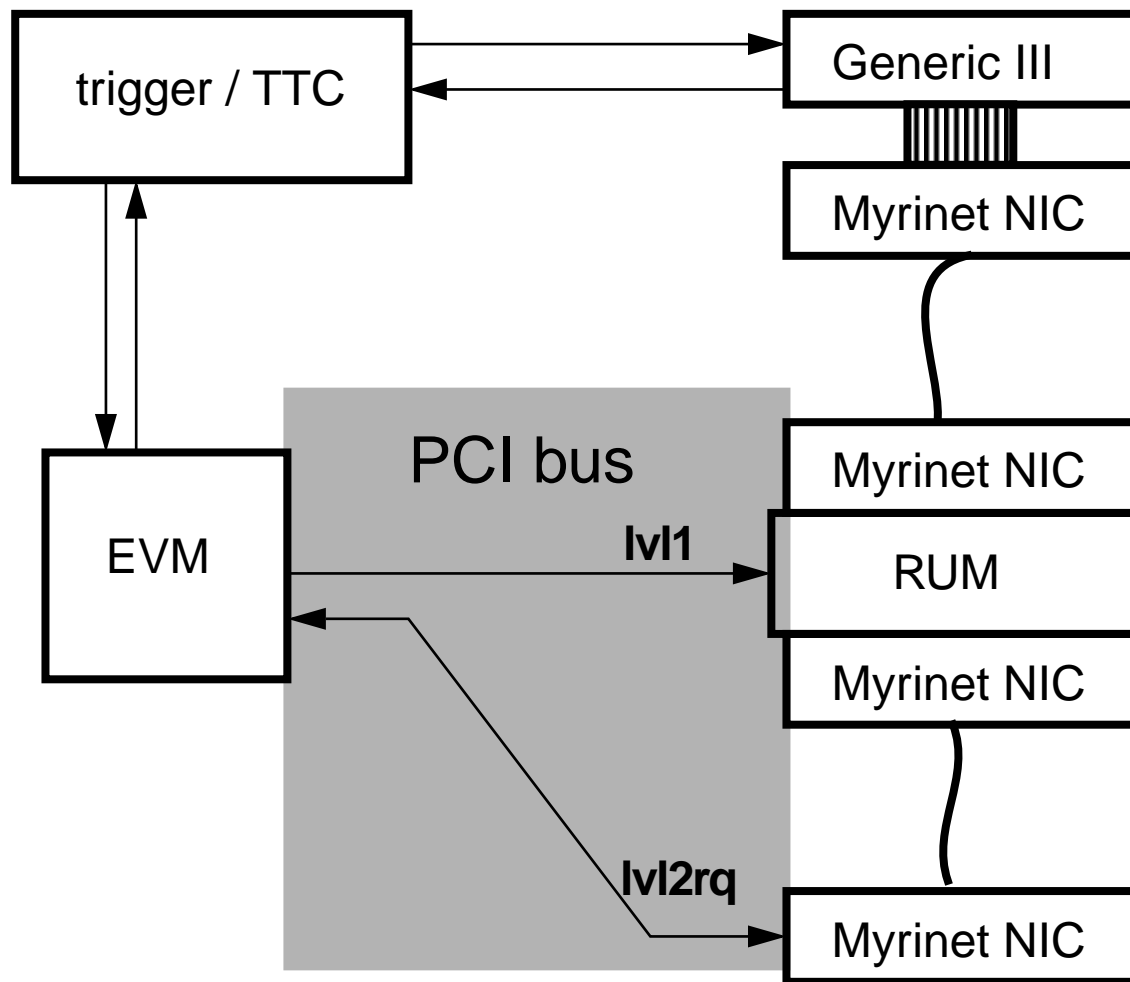


Future of the DAQ - Column

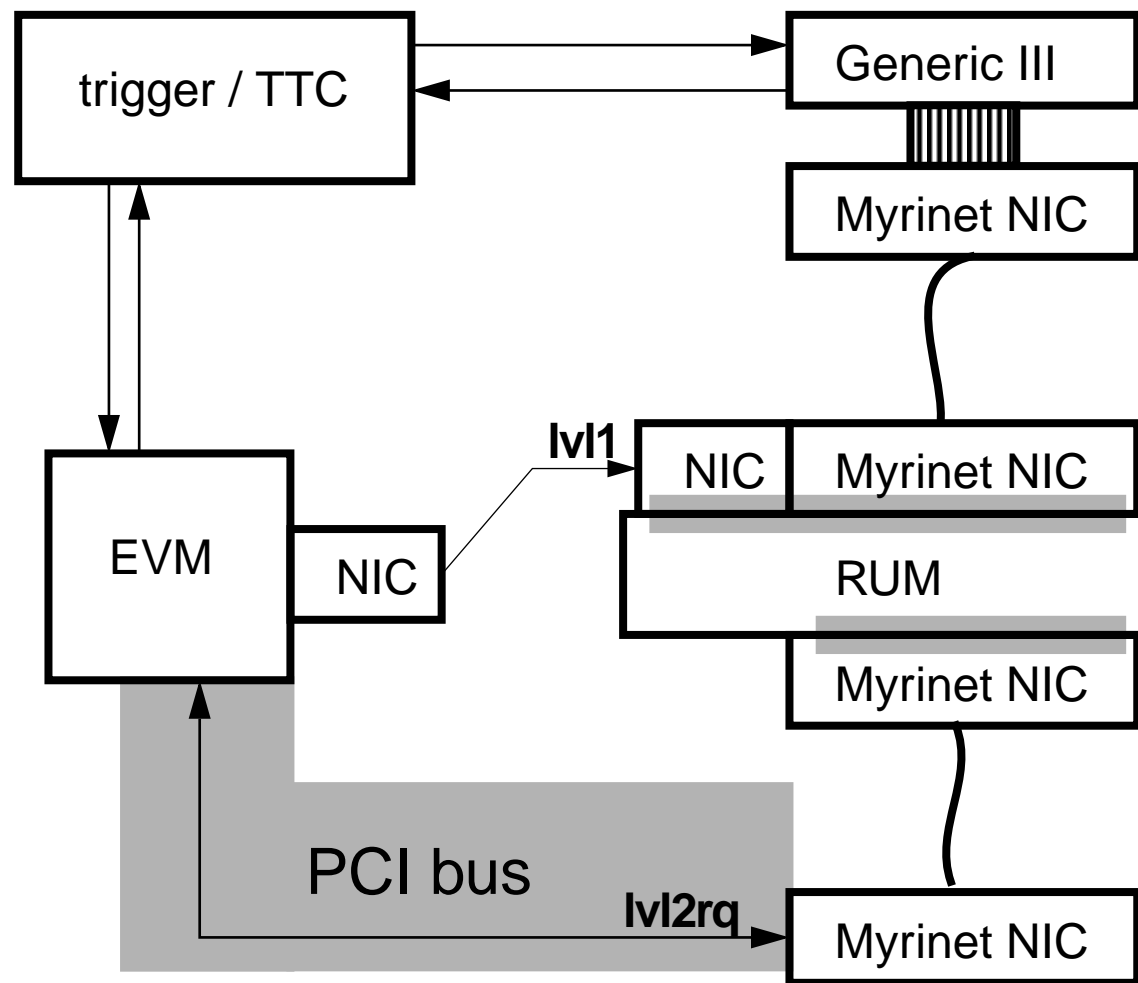
- To Do List

- RM implementation with TTCrx hardware: implement DMA and multi - request in order to go to higher rates (software)
- Review Run-Control:
 - implement new features of jxdaq if available and suitable
 - evaluate to implement resource manager
 - DB interface for resources (software, memory maps, configuration sequences)
- merge hardware access library with I2O-core
 - roadmap has been defined with Eric:
 - 1) implement “easy-to-use” API like read / write, configread/ configwrite
 - 2) implement possibility to memory map hardware devices
 - keep functionalities for DMA
 - implement signal on Interrupt or equivalent to let user profit from real-time features in user - space (Linux)

hardware Column



PC / software Column



Column PC / software

- RU Input

- simplified scheme of Johannes and Luciano
- feasible for Generic III
- investigate if this is applicable to Myrinet card in order to build RU without custom hardware.
- program Myrinet cards for buffer loaning at input

