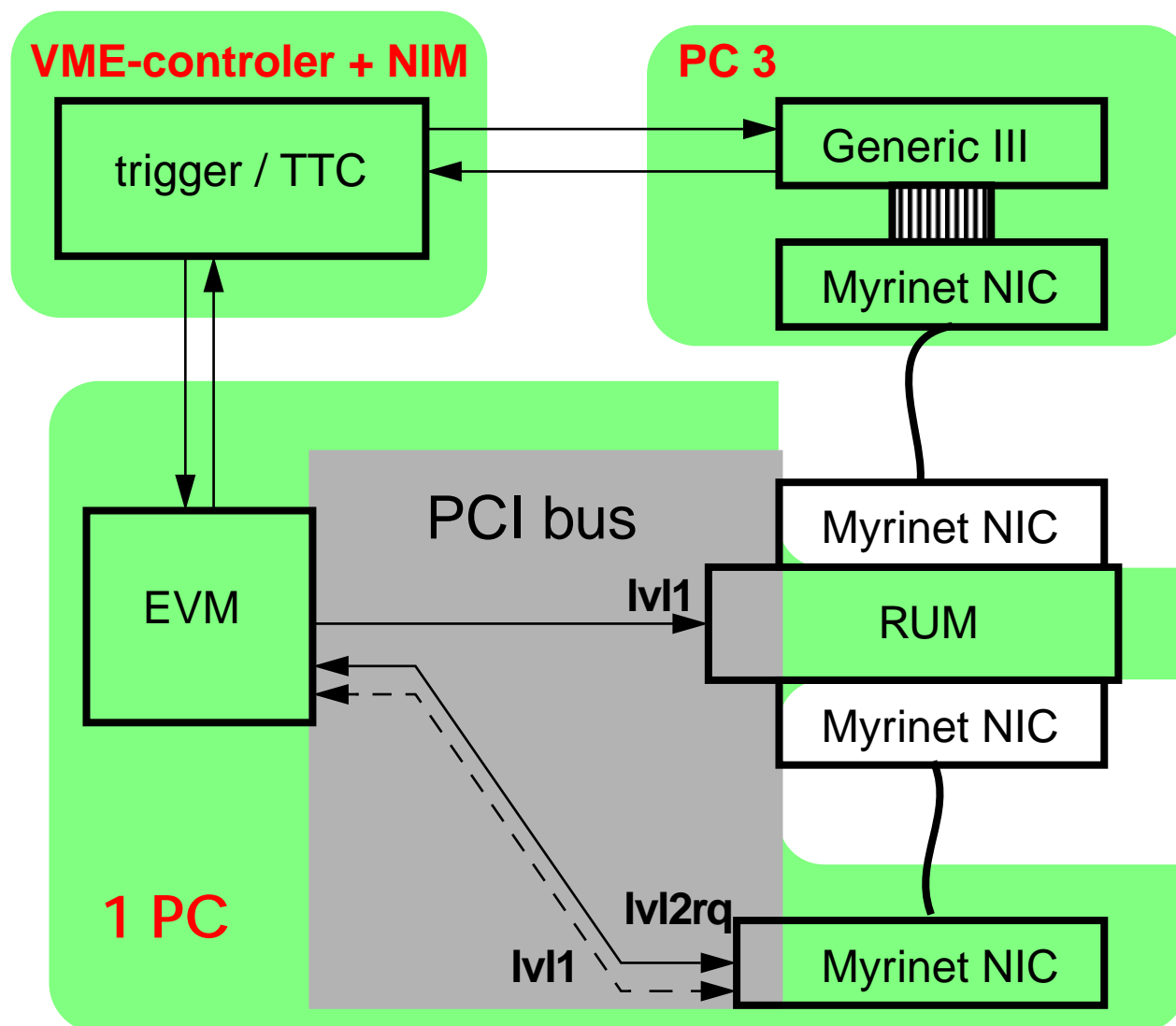




Agenda

- Hardware project progress
 - TTCrx board Claude (10')
 - "hardware round" all (10')
- FRL / Slink
 - ideas to be discussed Attila (15')
 - mechanical issues Dominique(15')
- Planning of activities
 - Overview what we need to prototype: Sergio(20')
 - list of required test-benches + discussion(20')
 - needed hardware,software,firmware
- Questions to Myricom
 - A list Frans(10')

hardware Column



PC / software Column

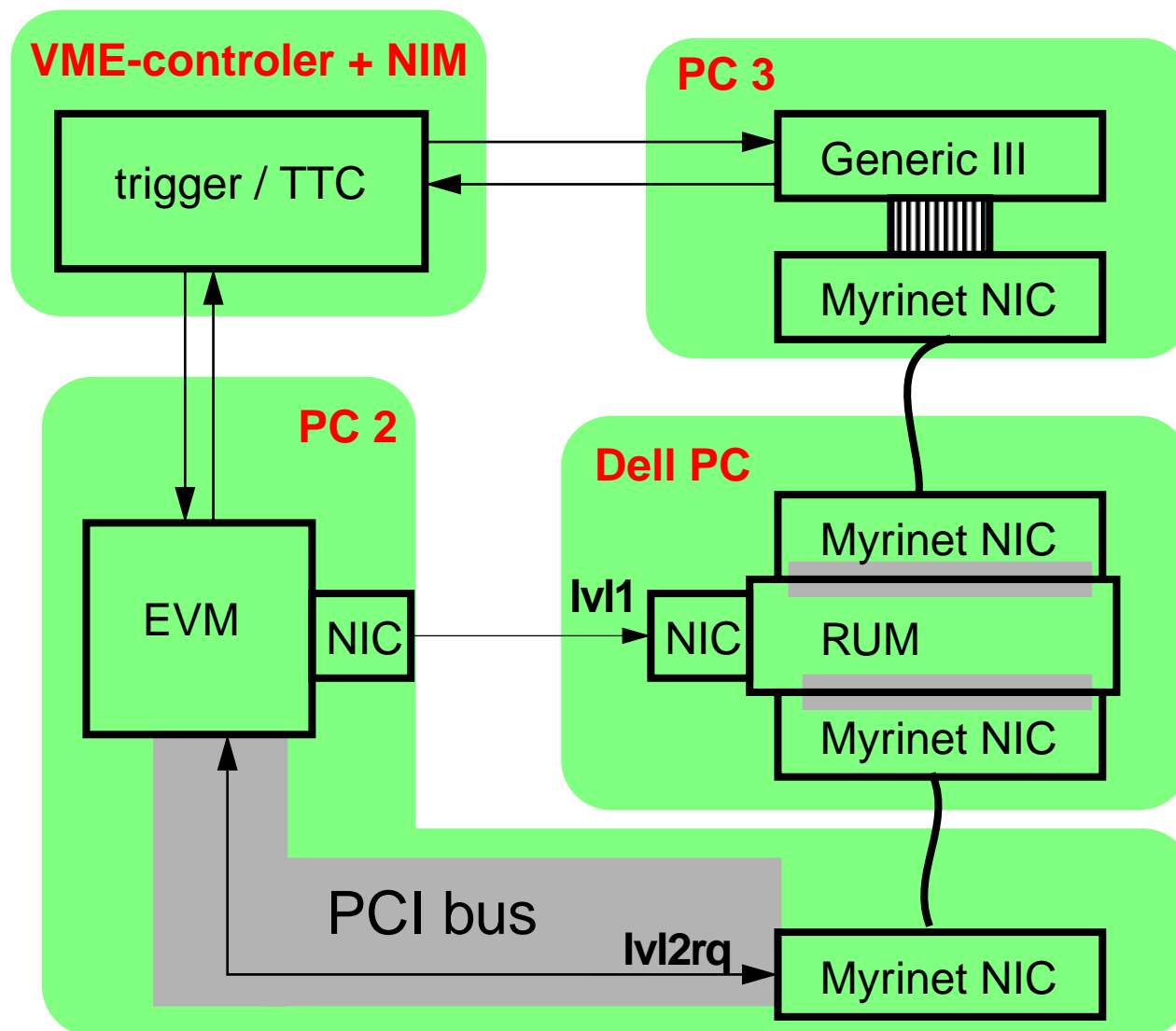
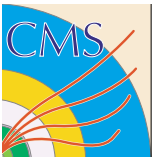




Table of Activities

H/S/F	activity	time	who?
Firmware	FED emulator (GIII)	1 week	
	FPGA RUI (GIII)	2 months	
	FRL emulator (GIII)	2 months	
	Glob.Trig. Proc emulator (GIII)	2 months	
Software	Control software for hardware	1 week / module	
	DAQ user toolkit with hardware access library	2-3 months + iterations	
	Software RUM (with DELL)	2 months	
	NIC as RUI / FED-Builder receiver	???	
	NIC as BU	???	
	NIC in RUO	done?	
	NIC as FRL output	???	



H/S/F	activity	time	who?
Hardware	Slink with intelligence in sender?	2 months	
	FED merging hardware (multi LVDS receiver)	3 weeks	
	TTCrx new setup	2 months	

Column PC / software

- RU Input

- simplified scheme of Johannes and Luciano
- feasible for Generic III
- investigate if this is applicable to Myrinet card in order to build RU without custom hardware.
- program Myrinet cards for buffer loaning at input

