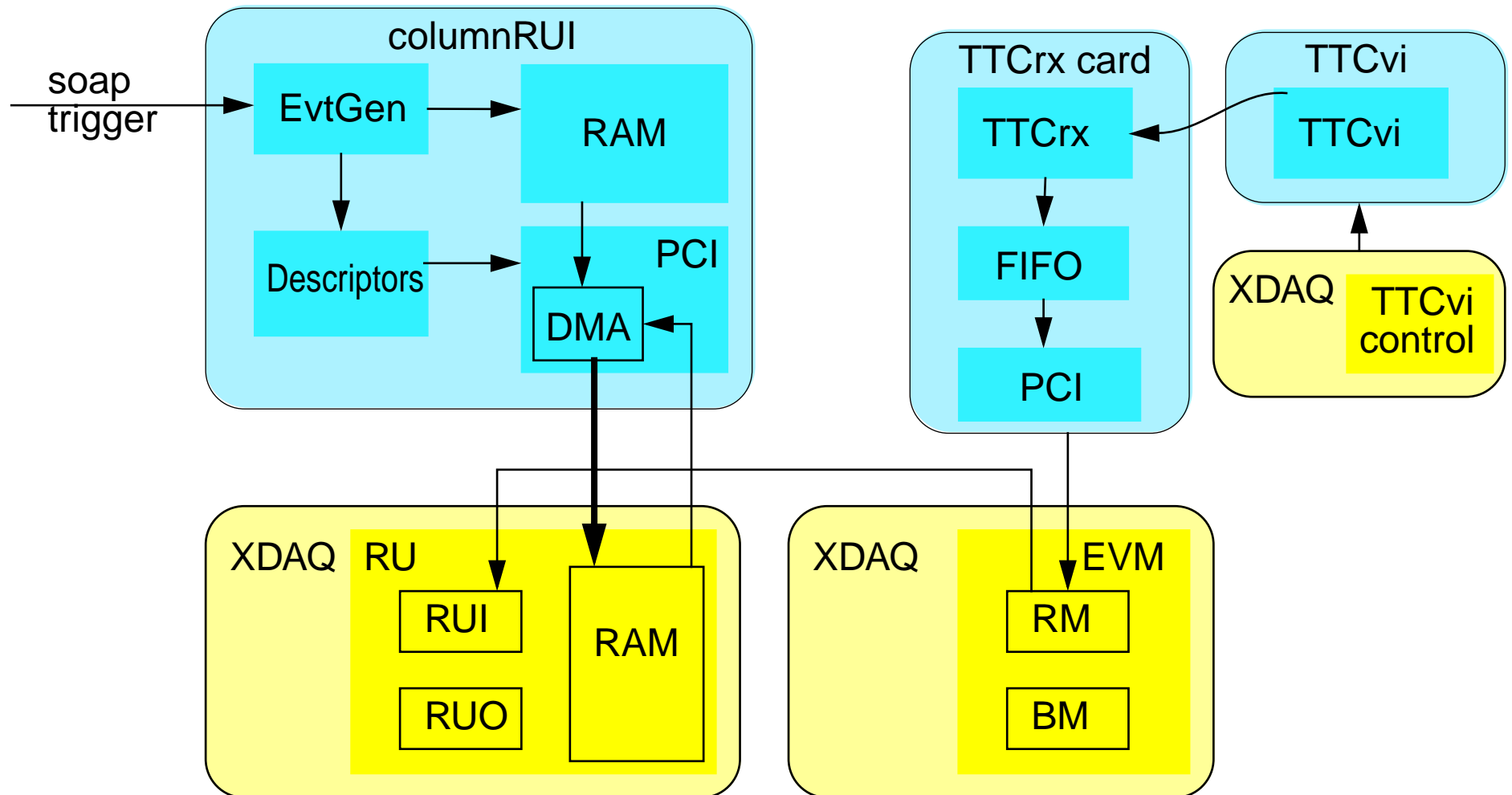


Agenda

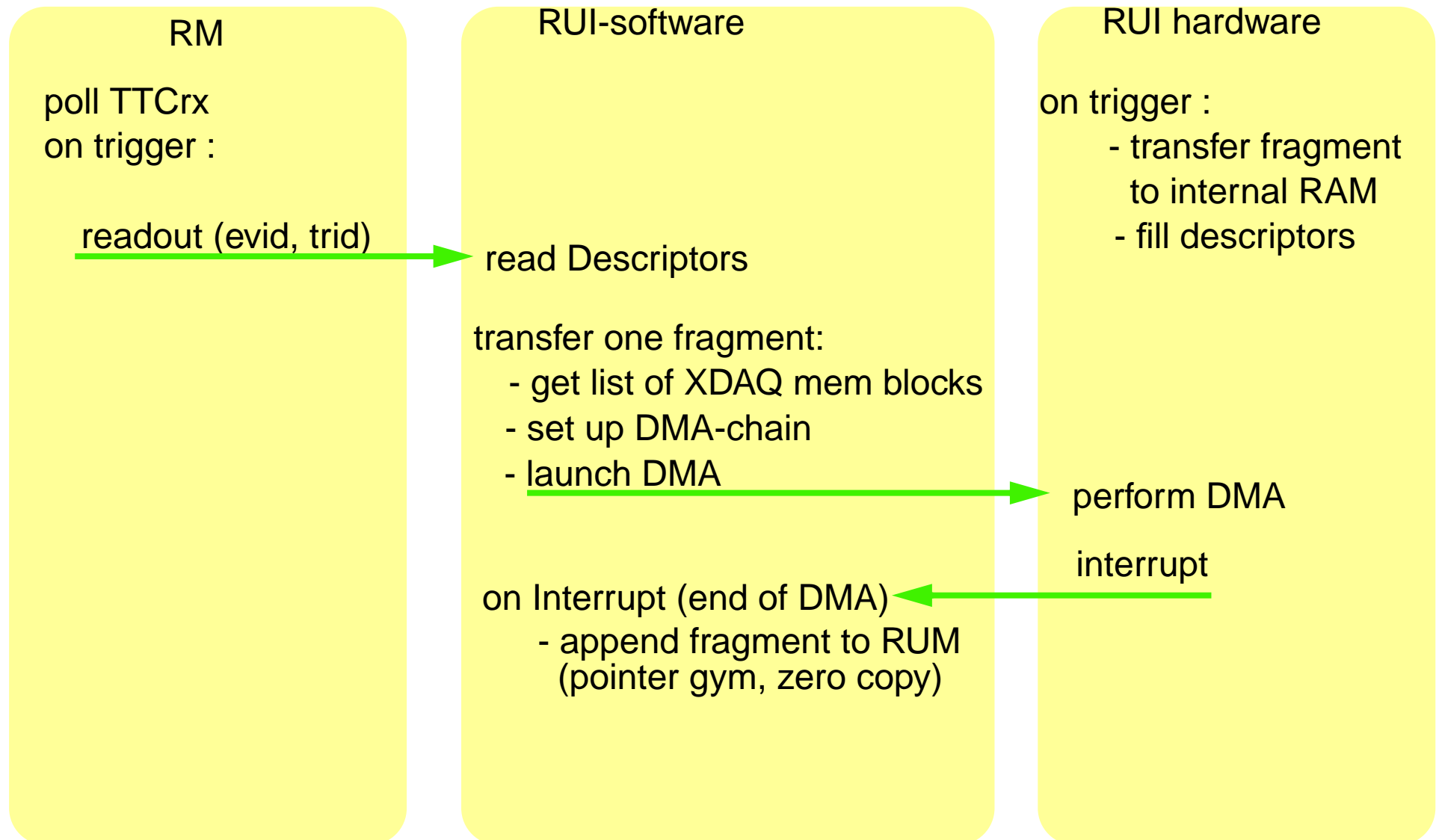
- Hardware tour:
 - Daq-Link Lucien
 - RUM, LVDS-link Dominique
 - ColumnRUI, ColumnEVM Christoph
 - RCN Ishiro?
 - BU? ???
- RUM: Hardware/Software Hybrid
 - Proposal and Discussion Johannes
- Filter prototype
 - Discussion on hardware needs Emilio
- Preparation of september review
 - what do we want to present ?
 - on what to focus in the next weeks all
- ToDoList check; AOB

Column RUI: status and STD (still-to-do)

- Current setup :



Protocol RUI / software RUM



To Do:

- clean up code
 - remove debug statements, wait loops
- measure throughput
- implement a queue for chainedDMA transfers
 - now: DMA must be finished before a new transfer can start
- implement hardware trigger for Event Generator
 - on its way: Akos
- interface to DAQ Link
- interface to hardware RUM
- development of pseudo FED in DAQ Link sender

Preparation of 17th september review

- DAQLink : items to present
 - hardware technology (fibers, chipset, ???)
 - protocols
 - backpressure implementation
 - throughput measurements
- RUM :
 - measurements of output with Myrinet interface ?
 - status of input ?
 - chance to have them working together for the review ?
- BU:
 - contribution of San Diego?
- RCN
 - contribution of Fermilab?

- Column : items to present
 - setup
 - hardware software integration
 - weak point : throughput...

